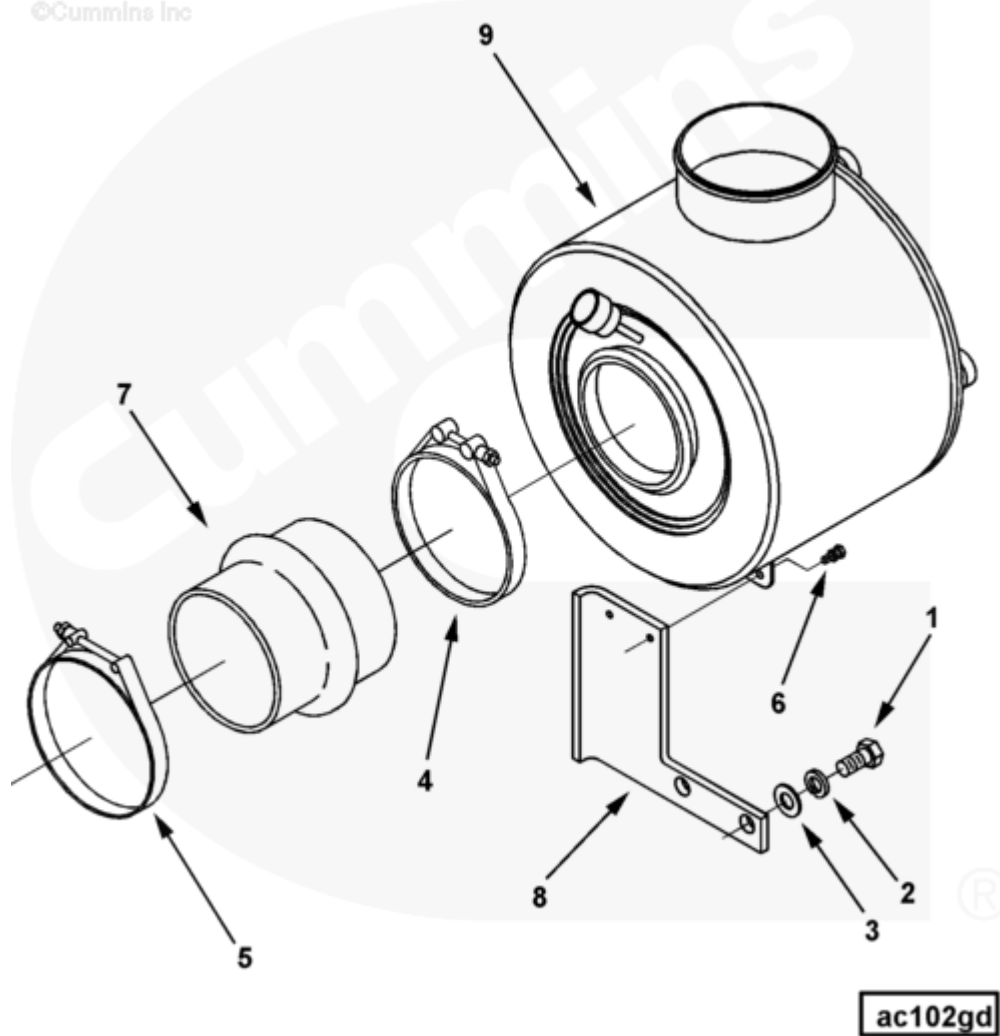




## Parts Catalog - Option Detail

Electronic Parts Catalog - Option Detail				
Option	Group	Graphic	Film Card	Date
AC1157	10.04	ac102gd	FF	06-AUG-98
<b>Engines</b>	G855, G855 CM558, GTA855 CM558 (CM2358) G101, N14 CELECT, N14 CELECT PLUS, N14 MECHANICAL, NH/NT 855, QSM11 CM876 M101, QSM11 CM876 M102M, QSN14 CM876 N103, QSN14 CM876 N105, QSNT14 CM876 N102			



**ac102gd**

[SMALL](#) | [MEDIUM](#) | [LARGE](#)

Cart	Ref No	Part Number	Part Description	Required	Remarks
<a href="#">View My Cart</a>					
		AC1157	Air Cleaner		
					Normal duty one stage air
					cleaner. Walker CFE1210 wbsl

					9 inch low profile enclosed
					12 x 10 inch air filter
					element. For horizontal
					mounted, and has 6 inch
					(152.4mm) diameter side inlet
					and end outlet, includes
					restriction indicator. Air
					cleaner cap not included.
<input type="checkbox"/>	1	S 181	Hexagon Head Cap Screw	2	5/8 - 11 X 1 1/4 in.
<input type="checkbox"/>	2	S 603	Lock Washer	2	5/8 in.
<input type="checkbox"/>	3	S 658	Plain Washer	2	5/8 in.
<input type="checkbox"/>	4	140313	T-Bolt Clamp	1	6 1/8 inch
<input type="checkbox"/>	5	152026	T-Bolt Clamp	1	6 1/2 Inch.
<input type="checkbox"/>	6	3011342	Captive Washer Cap Screw	2	1/4 - 20 x 3/4 in.
<input type="checkbox"/>	7	3030764	Hump Hose	1	
<input type="checkbox"/>	8	3349792	Air Cleaner Bracket	1	
<input type="checkbox"/>	9	4003280	Air Cleaner	1	
<input type="checkbox"/>		4003282	Air Cleaner Housing		
<input type="checkbox"/>		4003281	Air Cleaner Element		
<input type="checkbox"/>		4003309	Air Cleaner Cover		
<input type="checkbox"/>		4003310	Restriction Indicator		
<input type="checkbox"/>		4003311	Nylon Washer		
<input type="checkbox"/>		4003312	Knob		
<input type="checkbox"/>		4003313	Filter Cleaning Kit		